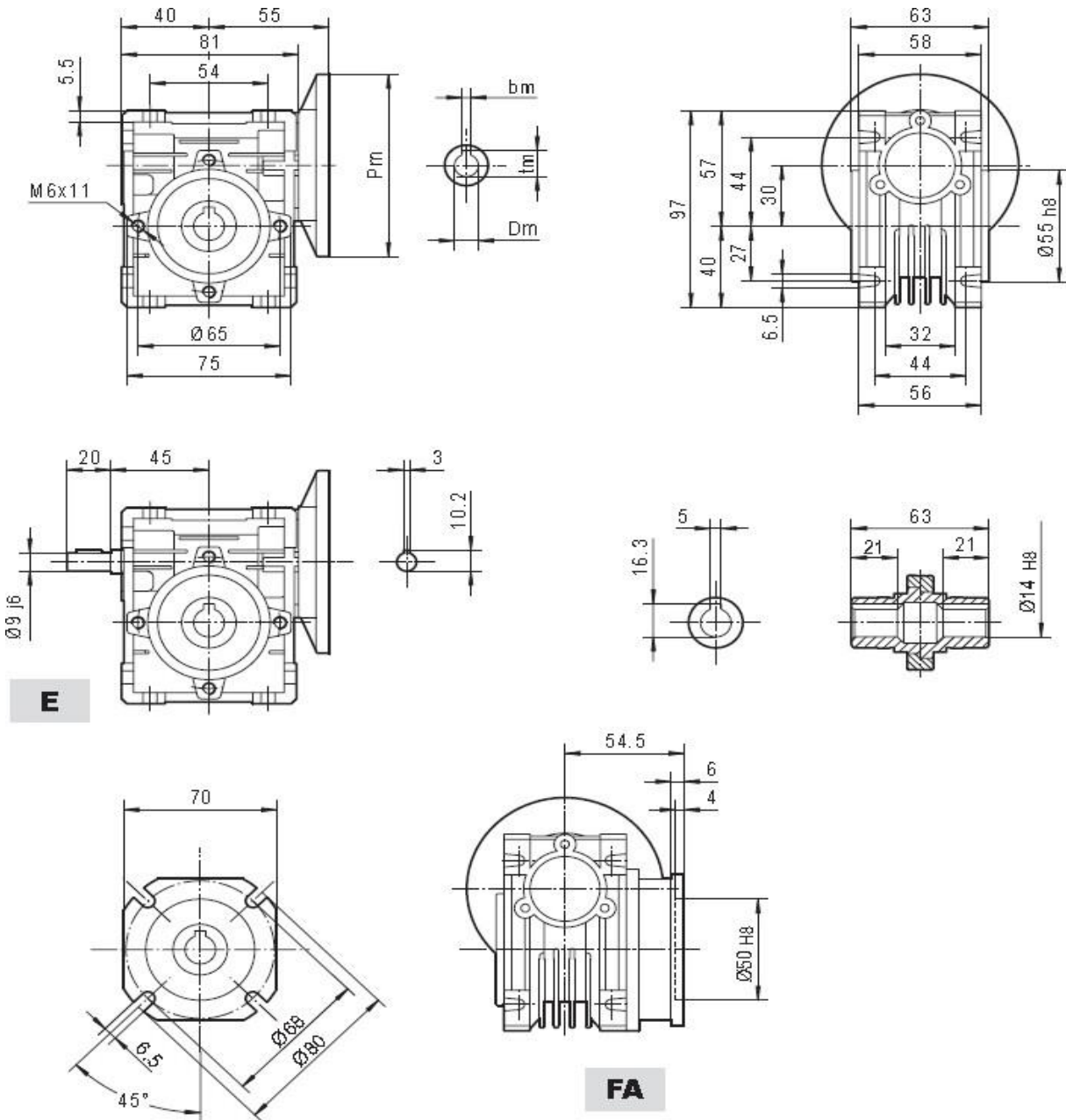




Worm Gear Units

TCNDK30



PAM IEC	Pm	Dm	b _m	t _m
63B5	140	11	4	12.8
56B5	120	9	3	10.4
63B14	90	11	4	12.8
56B14	80	9	3	10.4

Weight without motor = 1.2 Kg